

MAXIMA

Elettropompe autoadescanti per piscina

Self priming pump for swimming pools

Bomba autoaspirante para piscina

Electropompe auto-amorçante pour piscine



MADE IN SPAIN

 **PEDROLLO**[®]
the spring of life



MAXIMA

Elettropompe autoadescanti per piscina

Self priming pump for swimming pools

Bomba autoaspirante para piscina

Electropompe auto-amorçante pour piscine



efficiency class

IE3

1.750 r.p.m



MAX
68dB

MADE IN SPAIN

IT

- Attacco a flangia 110 mm (4 pollici)
- Cestello prefiltro di grandi dimensioni
- **Verniciatura per cataforesi**
- Base di supporto in Noryl
- Viti e bulloni in acciaio inox AISI 316
- Motore asincrono IE3 a 1750 giri/min. no a 10 HP e a 3.450 giri/min 12.5 e 15 HP
- Cuscinetti lubrificati a vita
- Grado di protezione IP 55, isolamento in classe F
- Temperatura max dell'acqua: +40°C

GB

- Flange connection 110mm (4 inches)
- Large pre-filter basket
- **Cataphoresis painting**
- Noryl support base
- Stainless steel screws AISI 316
- IE3 asynchronous motor at 1750 rpm up to 10 HP, and at 3.450 rpm 12.5 and 15 HP
- Lubricated bearings for life
- IP 55 Grade, class F insulation
- Maximum water temperature: + 40°C

SP

- Conexión brida 110mm (4 pulgadas)
- Cesto prefiltro de gran tamaño
- **Pintura por cataforesis**
- Base soporte de Noryl
- Tornillería en acero inoxidable AISI 316
- Motor asíncrono IE3 a 1750 giri/min. hasta 10 HP, y a 3.450 rpm 12.5 y 15 HP
- Rodamientos lubricados de por vida
- Grado IP 55, aislamiento clase F
- Máxima temperatura del agua: +40°C

FR

- Raccordement à bride 110 mm (4")
- Panier préfiltre grande capacité
- **Peinture cataphorèse**
- Embase support en Noryl
- Vis en acier inoxydable AISI 316
- Moteur asynchrone IE3 à 1750 tr/min. jusqu'à 10 HP, et à 3.450tr/min 12.5 et 15 HP
- Roulements lubrifiés à vie
- Isolation IP55, classe F
- Température maximale de l'eau: + 40°C

Girante in bronzo su richiesta

Bronze impeller on demand

Turbina de bronce bajo demanda

Turbine en bronze sur demande



- ✓ **Polipropilene con fibra di vetro**
Polypropylene with fiberglass
Polipropileno con fibra de vidrio
Polypropylène avec fibre de verre

- ✓ **Albero in acciaio inox AISI 316**
AISI 316 stainless steel shaft
Eje en acero inoxidable AISI 316
Arbre en acier inoxydable AISI 316

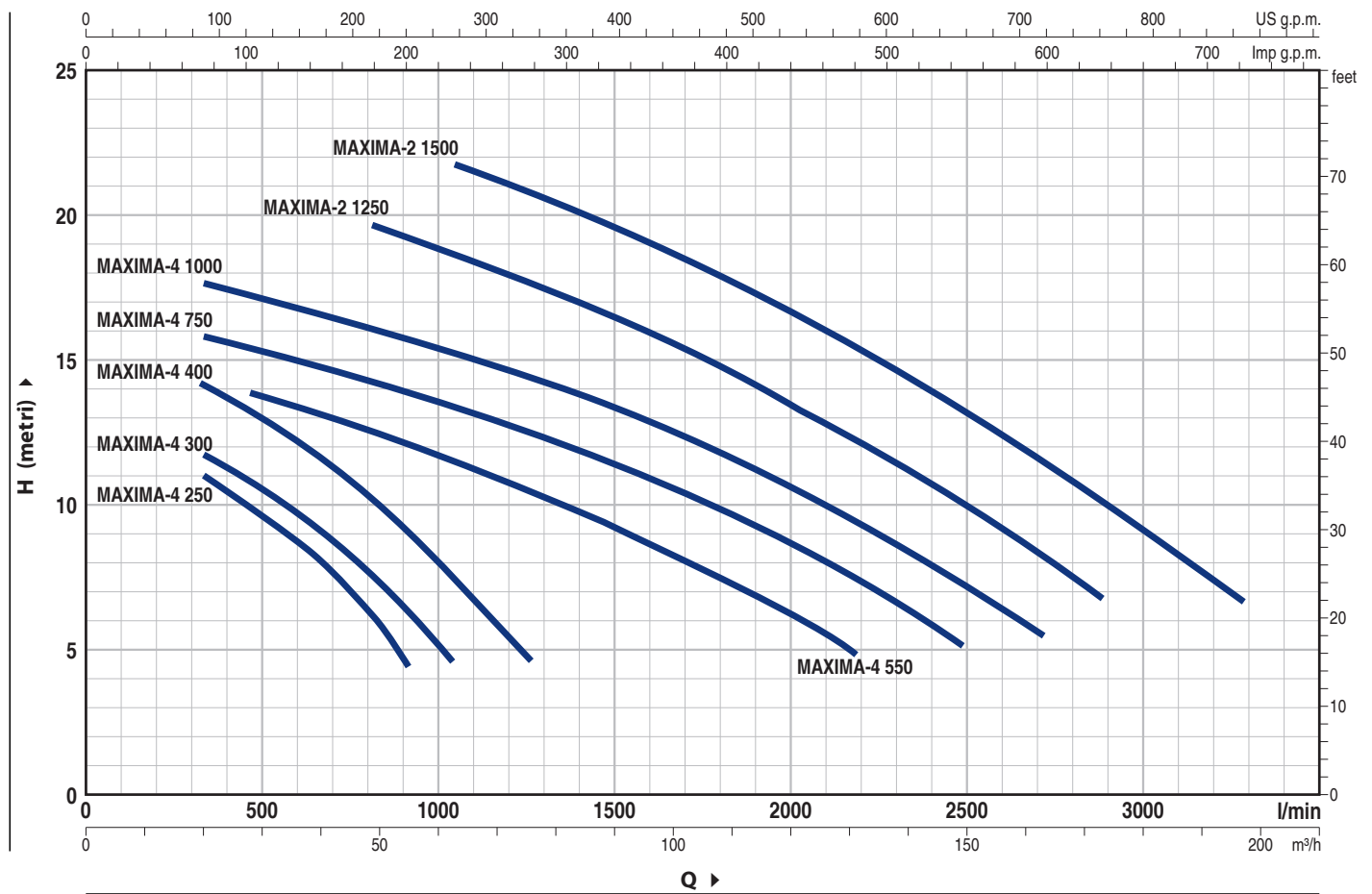
- ✓ **Girante in Noryl**
Impeller in Noryl
Rodete in Noryl
Turbine in Noryl

- ✓ **Tenuta meccanica in acciaio inox AISI 316**
Mechanical seal in stainless steel AISI 316
Sello mecánico en acero inoxidable AISI 316
Garniture mécanique en acier inoxydable AISI 316

- ✓ **Funzionamento a 1750 giri/minuto fino a 10HP ea 3.450 giri/minuto 12.5 e 15 HP**
Operation at 1750 rpm up to 10 HP, and at 3.450 rpm 12.5 and 15 HP
Funcionamiento a 1750 giri/min. hasta 10 HP, y a 3.450 rpm 12.5 y 15 HP
Fonctionnement à 1750 tr/min. jusqu'à 10 HP, et à 3.450tr/min 12.5 et 15 HP

CURVE E DATI DI PRESTAZIONE / CHARACTERISTIC CURVES AND PERFORMANCE DATA

60 Hz HS = 0ft

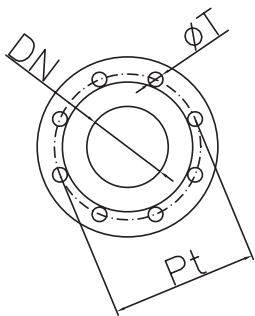
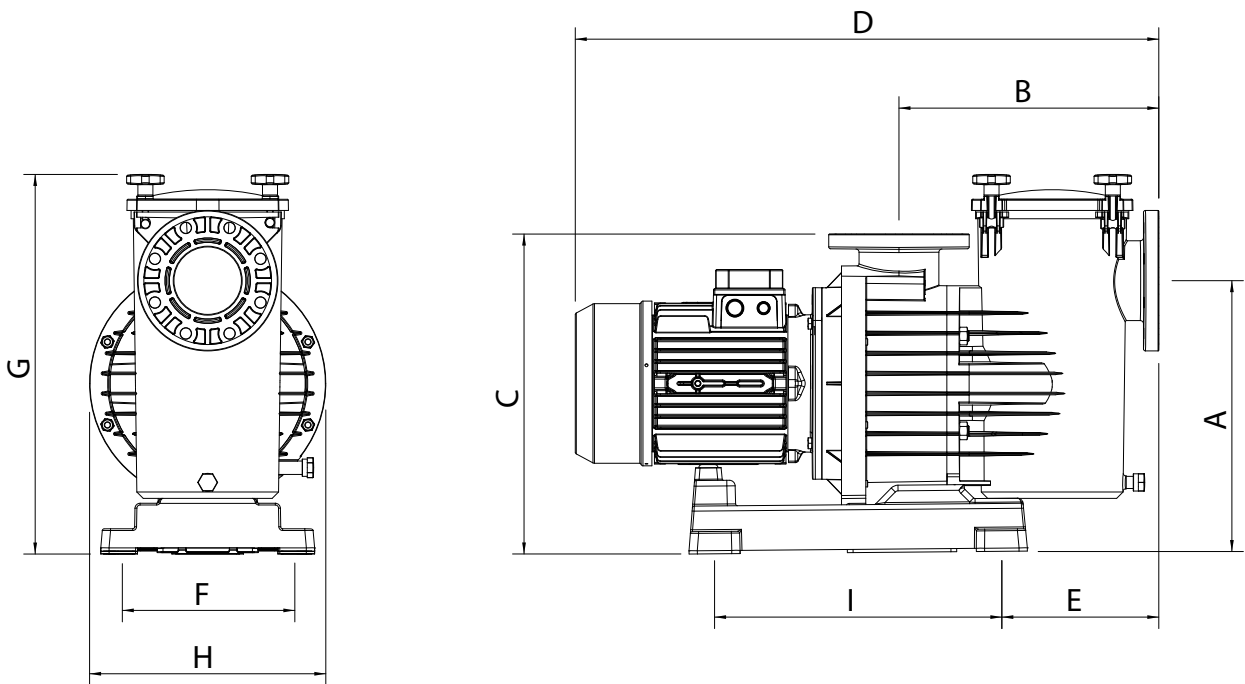


| MODELLO / MODEL 3~ | POWER (P ₂) | | | Q | Flow rate (Q) | | | | | | | | | | | | |
|-----------------------|-------------------------|------|-----|----------|---------------|------|------|------|------|------|------|------|------|------|--|--|--|
| | kW | HP | ▲ | | 0 | 20 | 40 | 60 | 80 | 100 | 120 | 140 | 160 | 180 | | | |
| | | | | Us g.p.m | 0 | 88 | 176 | 264 | 1333 | 352 | 528 | 616 | 705 | 793 | | | |
| MAXIMA-4 250 | 1.8 | 2.5 | IE3 | H ft | 42 | 36.4 | 28.5 | 14.7 | | | | | | | | | |
| MAXIMA-4 300 | 2.2 | 3 | | | 44.3 | 39 | 31.8 | 19.7 | | | | | | | | | |
| MAXIMA-4 400 | 3 | 4 | | | 52.5 | 46.3 | 39.4 | 29.5 | 14.7 | | | | | | | | |
| MAXIMA-4 550 | 4 | 5.5 | | | 50.8 | 47.9 | 44.3 | 39.4 | 34.5 | 27.9 | 19.7 | | | | | | |
| MAXIMA-4 750 | 5.5 | 7.5 | | | 54.5 | 52.1 | 49.2 | 45.3 | 40.7 | 34.8 | 27.6 | 18.4 | | | | | |
| MAXIMA-4 1000 | 7.5 | 10 | | | 60.7 | 58.4 | 55.4 | 51.8 | 47.6 | 41.7 | 34.8 | 28.2 | 21 | | | | |
| MAXIMA-2 1250 | 9.2 | 12.5 | | | 67.3 | 66.6 | 65 | 62.3 | 57.7 | 51.8 | 45 | 37.4 | 29.5 | | | | |
| MAXIMA-2 1500 | 11 | 15 | | | 74.5 | 73.8 | 73.1 | 70.5 | 67.3 | 62.3 | 56.4 | 49.2 | 41.3 | 32.8 | | | |

Q = Portata / Flow rate H = Prevalenza manometrica totale / Total manometric head HS = Altezza di aspirazione / Suction height

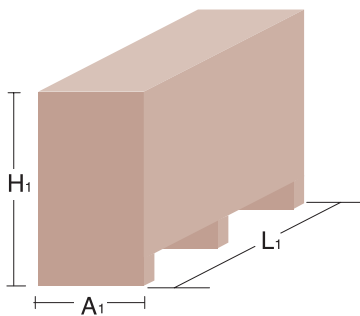
Tolleranza delle curve di prestazione secondo EN ISO 9906 Grado 3B. / Tolerance of characteristic curves in compliance with EN ISO 9906 Grade 3B.

▲ Classe di rendimento del motore trifase (IEC 60034-30-1) / ▲ Three-phase motor efficiency class (IEC 60034-30-1)



| Modello/Model | A | B | C | D | E | F | G | H | I | DN | ØT | Pt | Kg. |
|---------------|------------------|----------------|------------------|----------------|-----------------|------------------|------------------|------------------|------------------|---------------|----------------|-----------------|------|
| MAXIMA-4 250 | | | | | | | | | | | | | 42.0 |
| MAXIMA-4 300 | | | | 838 (33 in) | | | | | | | | | 42.5 |
| MAXIMA-4 400 | | | | | | | | | | | | | 44.5 |
| MAXIMA-4 550 | 425 (16.7 in) | 407 (16 in) | 500 (19.7 in) | 863 (4 in) | 246 (9.7 in) | 300 (11.8 in) | 596 (23.4 in) | 368 (14.5 in) | 450 (17.7 in) | 110 (4 in) | 18 (0.7 in) | 180 (7.1 in) | 53.4 |
| MAXIMA-4 750 | | | | | | | | | | | | | 66.0 |
| MAXIMA-4 1000 | | | | 913 (36 in) | | | | | | | | | 76.0 |
| MAXIMA-2 1250 | | | | | | | | | | | | | 84.5 |
| MAXIMA-2 1500 | | | | | | | | | | | | | 85.5 |

Dati di imballaggio
Packaging data
Datos embalaje
Données d'emballage



| Modello/Model | A1 | H1 | L1 |
|---------------|------------------|------------------|------------------|
| MAXIMA-4 250 | | | |
| MAXIMA-4 300 | | 595 (23.4 in) | 840 (33 in) |
| MAXIMA-4 400 | | | |
| MAXIMA-4 550 | 385 (15.1 in) | | |
| MAXIMA-4 750 | | 715 (28.1) | 1.170 (46 in) |
| MAXIMA-4 1000 | | | |
| MAXIMA-2 1250 | | | |
| MAXIMA-2 1500 | | | |